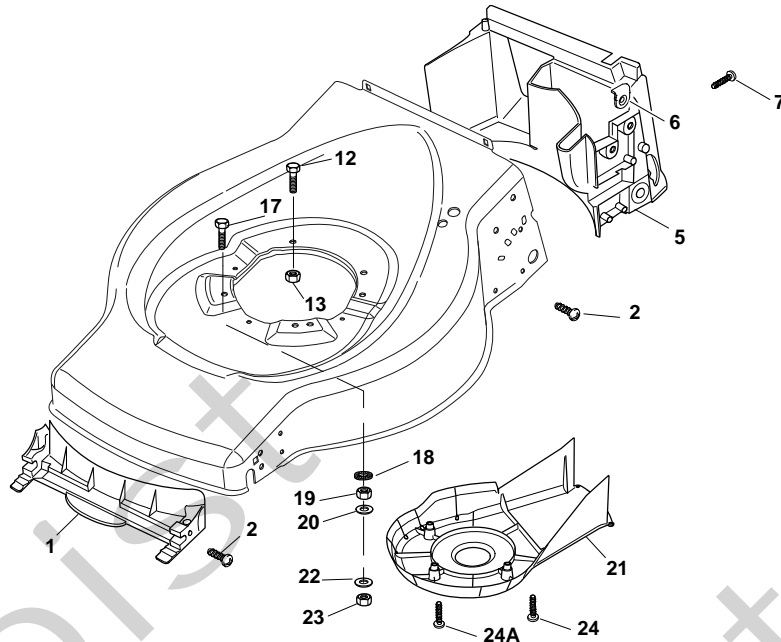


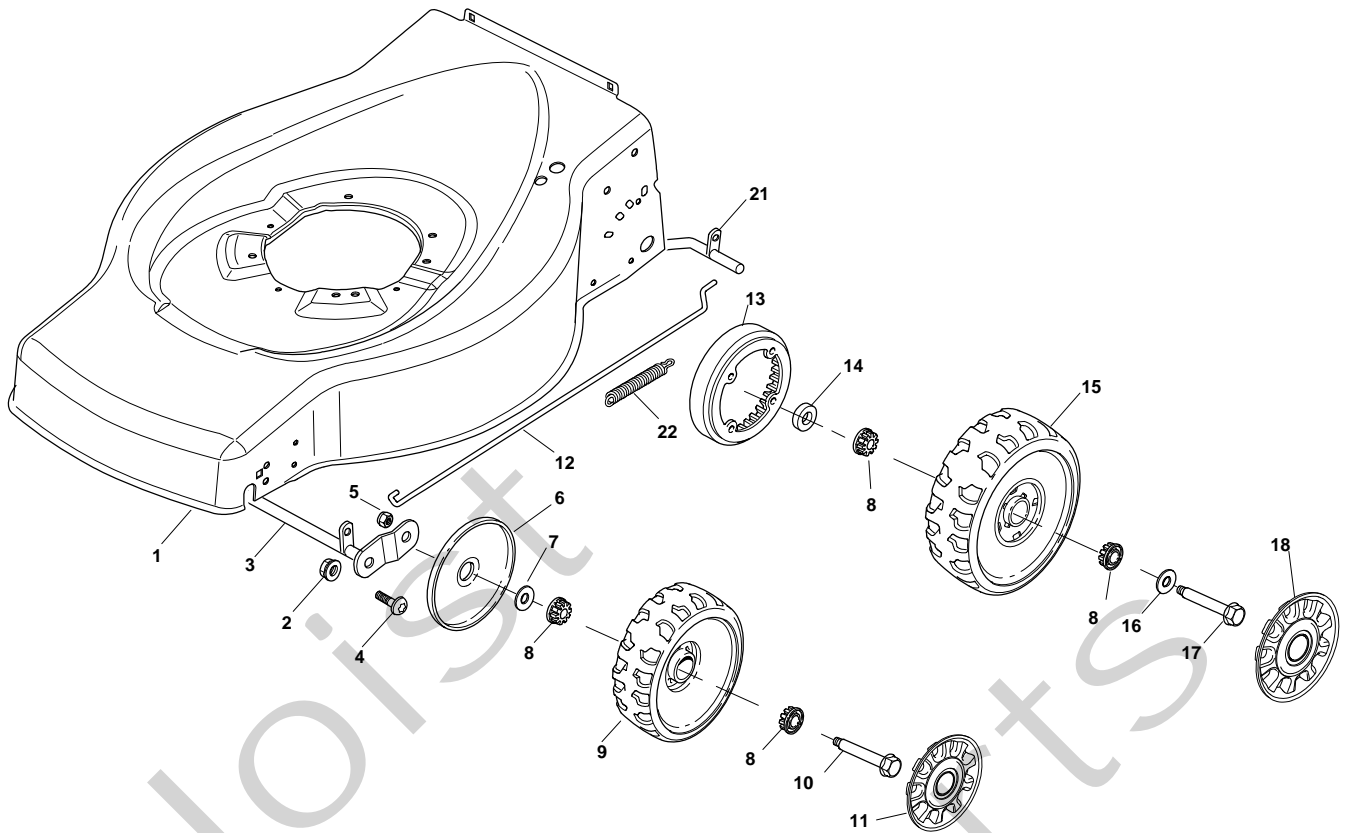
Genuine Spare Parts

COMBI 53 S B

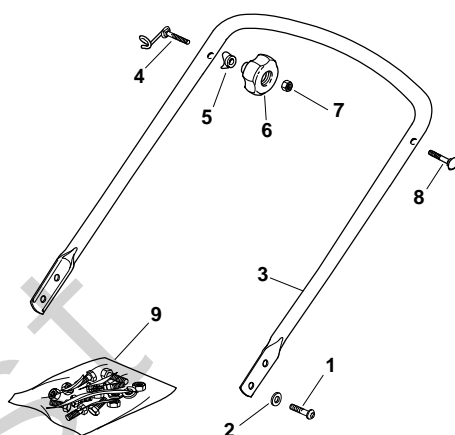




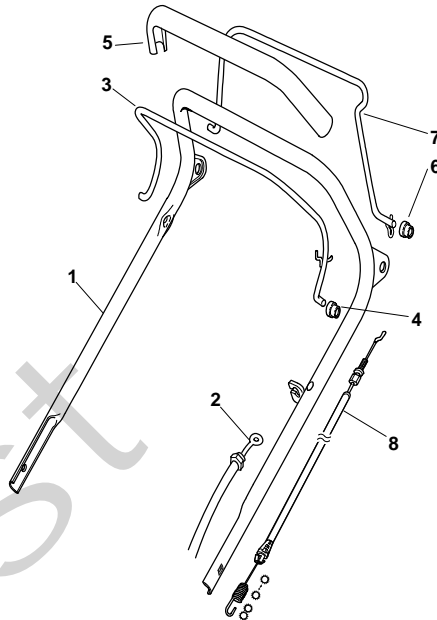
Pos. Fig.	Antal Quantity	Art No Part No	Benämning	Description	Anmärkning Notes
1	1	22108271/0	Ledplåt-främre	Front Conveyor Assy	
2	6	12728686/0	Skruv	Screw	
5	1	22108272/2	Ledplåt-bakre	Rear Conveyor Assy	
6	4	322545189/0	Plåt	Plate	
7	2	12728686/0	Skruv	Screw	
12	2	12793701/0	Skruv	Screw	
13	2	12293201/0	Mutter	Nut	
17	1	12691115/0	Skruv	Screw	(Honda)
17	1	12691115/0	Skruv	Screw	(GGP)
17	1	12691115/0	Skruv	Screw	
17	1	12775000/0	Skruv	Screw	(B&S Classic/Sprint/Ls/Lc)
17	1	12775000/0	Skruv	Screw	
18	1	12540060/0	Bricka	Washer	
19	1	12293200/0	Mutter	Nut	
20	1	22671651/0	Bricka	Washer	
21	1	22060212/0	Remskydd	Protection, Belt	
21	1	22060212/0	Remskydd	Protection, Belt	464
21	1	322060222/0	Remskydd	Protection, Belt	534
21	1	322060222/0	Remskydd	Protection, Belt	
22	1	25670011/0	Bricka	Washer	
23	1	12155000/0	Mutter	Nut	
24A	2	12728530/0	Skruv	Screw	
24A	2	12728530/0	Skruv	Screw	534
24	2	12728686/0	Skruv	Screw	
34	1	22140226/0	Mulchplugg	Deflector	464
34	1	22140226/0	Mulchplugg	Deflector	
34	1	322140233/0	Mulchplugg	Deflector	534
34	1	322140233/0	Mulchplugg	Deflector	

COMBI 53 S B - Model Year 2009


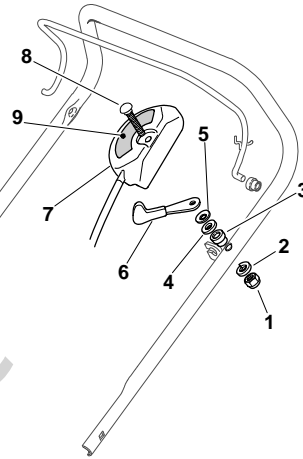
Pos. Fig.	Antal Quantity	Art No Part No	Benämning	Description	Anmärkning Notes
1	1	381003624/0	Chassi	Deck Yellow	
1	1	381003624/0	Chassi	Deck Yellow	534
2	2	12155000/0	Mutter	Nut	
3	1	81000153/0	Hjulaxel	Axle, Front Wheels	
4	2	12760600/0	Skruv	Screw	
5	2	22131750/0	Mutter	Nut	
6	2	22600095/0	Hjulskydd	Protection	
7	2	22671651/0	Bricka	Washer	
9	2	22686091/1	Hjul	Wheel	
10	2	22524341/0	Hjulbult	Pin	
11	2	22110491/0	Navkapsel	Hub Cap Grey	
12	1	122033319/0	Höjdställn.stång	Adjustment Rod	534
12	1	122033319/0	Höjdställn.stång	Adjustment Rod	
13	2	22120109/0	Kuggring	Sprocket	
14	2	22170622/0	Distans	Spacer	
15	2	22686093/0	Hjul	Wheel	
16	2	12523050/0	Bricka	Washer	
17	2	12735599/0	Skruv	Screw	
18	2	322110594/0	Navkapsel	Hub Cap	
19	4	22675100/0	Bricka	Washer	
20	8	22122200/0	Kullager	Bearing	
21	1	81000159/0	Hjulaxel	Axle, Rear Wheels	
22	1	122446186/0	Fjäder	Spring	534
22	1	122446186/0	Fjäder	Spring	



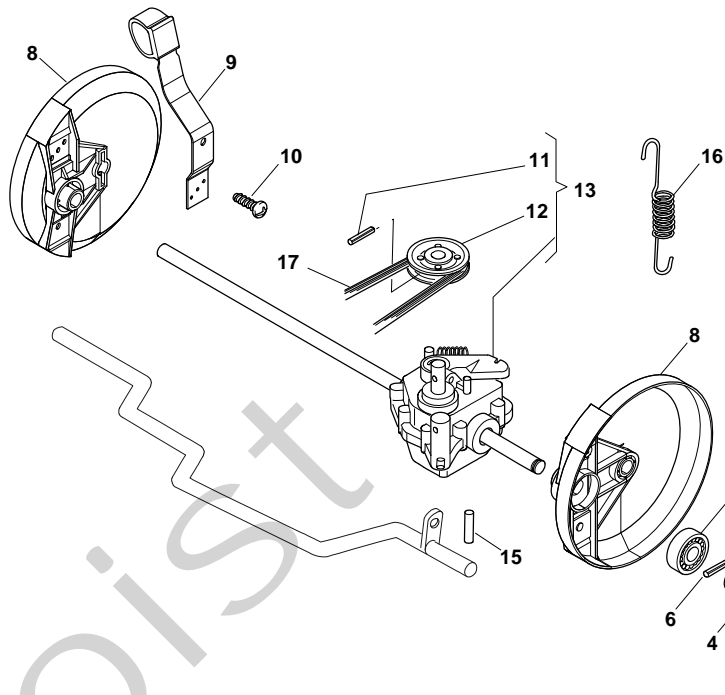
Pos. Fig.	Antal Quantity	Art No Part No	Benämning	Description	Anmärkning Notes
1	4	12760605/0	Skruv	Screw	
2	4	12521350/0	Bricka	Washer	
3	1	81006570/0	Styre-underdel	Handle, Lower Part	
3	1	81006570/0	Styre-underdel	Handle, Lower Part	464
4	1	81003801/1	Snörhållare	Guide Spring	
5	2	22680006/1	Bricka	Washer	
6	2	322399804/1	Knopp	Knob	
7	2	12293200/0	Mutter	Nut	
8	1	12819201/0	Skruv	Screw	
9	1	81008648/1	Skruvsats	Outfit, Screws	



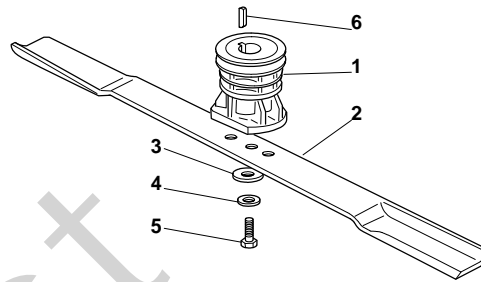
Pos. Fig.	Antal Quantity	Art No Part No	Benämning	Description	Anmärkning Notes
1	1	81007024/0	Styre-överdel	Handle, Upper Part	
2	1	181000761/0	Motorbromswire	Cable, Thread Engine Brake	534 (B&S 450-500 Series)
2	1	181000761/0	Motorbromswire	Cable, Thread Engine Brake	
2	1	181000761/0	Motorbromswire	Cable, Thread Engine Brake	534 (Honda Gcv 135-160-190)
2	1	81000622/2	Motorbromswire	Cable, Thread Engine Brake	534 (Ggp 150cc)
2	1	81000622/2	Motorbromswire	Cable, Thread Engine Brake	
2	1	81000760/0	Motorbromswire	Cable, Thread Engine Brake	534 (Ggp 140cc)
2	1	81000760/0	Motorbromswire	Cable, Thread Engine Brake	
2	1	81000760/0	Motorbromswire	Cable, Thread Engine Brake	534 (Ggp 196cc)
2	1	81000760/0	Motorbromswire	Cable, Thread Engine Brake	534 (Ggp 160cc)
2	1	81000760/0	Motorbromswire	Cable, Thread Engine Brake	534 (B&S 625-675 Series)
3	1	81003291/3	Reglagebygel	Lever, Engine Brake	
4	2	22041966/0	Bussning	Bush	
5	1	22291050/0	Handtag	Handgrip Black	
6	2	22041965/1	Bussning	Bush	
7	1	81003288/1	Reglagebygel	Lever, Driving	
8	1	381000778/0	Kopplingswire	Cable, Rear Drive	



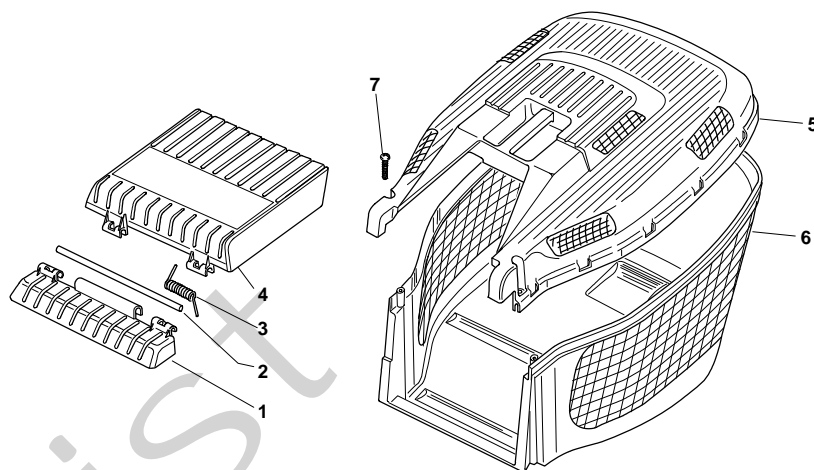
Pos. Fig.	Antal Quantity	Art No Part No	Benämning	Description	Anmärkning Notes
1	1	12291000/0	Mutter	Nut	
2	1	12581500/0	Låsbricka	Grower	
3	1	22171005/0	Distans	Spacer	
4	1	12521360/0	Bricka	Washer	
5	1	12508100/0	Låsbricka	Washer	
6	1	81007220/0	Gasarm	Lever, Throttle	
6	1	81007220/0	Gasarm	Lever, Throttle	(B&S 450-500 Series - Ggp 150 cc)
6	1	81007279/1	Gasarm	Lever, Throttle	(B&S 625-675-700 Series - Honda - Ggp 140-160-196 cc)
6	1	81007279/1	Gasarm	Lever, Throttle	
7	1	81007080/0	Gaswire	Cable, Throttle	
8	1	12815000/0	Skruv	Screw	
9	1	114356905/0	Dekal	Label	
9	1	114356905/0	Dekal	Label	(Honda GCV 160-190 Autochoke)
9	1	114356905/0	Dekal	Label	(B&S 700 series DOV)
9	1	114364264/0	Dekal	Label	AVS (GGP 160-196)
9	1	114364264/0	Dekal	Label	
9	1	14356702/0	Dekal	Label	(GGP)
9	1	14356702/0	Dekal	Label	(Honda)
9	1	14356702/0	Dekal	Label	
9	1	14356703/0	Dekal	Label	
9	1	14356703/0	Dekal	Label	(B&S)



Pos. Fig.	Antal Quantity	Art No Part No	Benämning	Description	Anmärkning Notes
1	2	12608520/0	Låsring	Seeger	
2	2	22160520/0	Dammskydd	Dust Cover	
3	2	22570125/0	Drev	Pinion	
4	2	22076645/0	Kil	Key	
5	2	22160520/0	Dammskydd	Dust Cover	
6	2	12622620/0	Stift	Pin	
7	2	22122202/0	Lager	Bearing	
8	2	22600106/1	Hjulskydd	Protection, Wheel	
9	1	81003303/0	Höjdställningsspak	Lever, Height Adjustment	
10	2	12728689/0	Skruv	Screw	
11	1	12713801/0	Stift	Dowel	
12	1	22601909/0	Remskiva	Pulley	
13	1	181003093/1	Transmission	Gear Box	
15	2	22753001/0	Stift	Pin	
16	1	22450438/0	Fjäder	Spring	
17	1	35064100/0	Drivrem	Belt	534
17	1	35064100/0	Drivrem	Belt	



Pos. Fig.	Antal Quantity	Art No Part No	Benämning	Description	Anmärkning Notes
1	1	22465607/2	Knivfäste	Hub With Pulley	
2	1	81004381/1	Kniv	Blade Standard	
2	1	81004381/1	Kniv	Blade Standard	534
2	1	81004383/0	Kniv	Blade, Avs	
2	1	81004398/0	Kniv	Blade Standard	534
2	1	81004398/0	Kniv	Blade Standard	
3	1	22160400/0	Bricka	Elastic Washer	
4	1	12523080/0	Bricka	Washer	
5	1	12735698/0	Skruv	Screw	
6	1	12139100/0	Kil	Key	



Pos. Fig.	Antal Quantity	Art No Part No	Benämning	Description	Anmärkning Notes
1	1	22785136/1	Fäste	Support	
2	1	22517858/0	Axel	Pin	
3	1	22450431/0	Fjäder	Spring	
4	1	322600099/1	Lucka	Stone-Guard	
5	1	22486122/0	Uppsamlare-överdel	Grassbox Upper Part	
6	1	22486128/0	Uppsamlare-underdel	Grassbox Lower Part	
7	2	12728686/0	Skruv	Screw	